



# eTrolley – the key benefits at a glance

The KYBURZ eTrolley is a zero-emission, electrically-powered trolley. It was developed in cooperation with well-known postal companies to ensure efficient operation in urban areas. The KYBURZ eTrolley can be customised to meet the customer's specific needs.

## Performance

High load capacity combined with large volume reduces empty trips on the delivery route  
Continuously selectable speed up to 6 km/h  
High tractive power, even on inclines

## Safety

Automatic parking brake  
Transported goods are theft-proof thanks to covers with electronic central locking system  
Electrical master safety switch provides tamper protection

## Ergonomics

Climbing wheels for effortless navigation of kerbs  
Healthy, upright posture on the delivery route

## Low operating costs

High-quality, maintenance-free batteries  
No conventional wear parts

## Sustainability

Zero-emission drive system  
Sustainable components for a long product life cycle

## Image

Environmentally friendly and responsible  
Silent e-mobility



KYBURZ eTrolley – custom configurations, high charging capacity



Ergonomic operation



Step climbing with add-on climbing wheels



# Saves time and money

The eTrolley's high load capacity of 120kg allows the number of stops to pick up post to be halved:

- Avoids depot delivery costs
- Increases efficiency by reducing trips back to the depo

Higher average speed:

- 10-20% faster delivery speed thanks to electric drive system results in 3-5% time savings.

Motivation boost for employees:

- Reduced physical strain and higher motivation results in fewer sick days and promotes employee satisfaction.

Combined delivery of letters and parcels:

- High transport volume allows parcels also to be taken on the route.

## Typical delivery process with a trolley



## Delivery process with the KYBURZ eTrolley



## Savings (example)

Daily 10 min to reload + 14 min in delivery = 100 hours a year  
 Total savings per year: over 2,500 euros



# eTrolley at a glance



- eTrolley 4BG+**  
Item no. 590609.00
- Loading capacity up to 120 kg
  - Bags for holding containers
  - RFID key



- eTrolley 8+1**  
Item no. 590618.00
- Suitable for post containers
  - Electronic central locking system
  - Loading capacity 120 kg
  - RFID key



- eTrolley 8BG**  
Item no. 590608.00
- Economical solution for 8 post bags
  - Loading capacity 120 kg
  - RFID key



- eTrolley Box**  
Item no. 590612.01
- Suitable for letters and parcels
  - Loading capacity 150 kg
  - RFID key
  - Electronic central locking system



- eTrolley Base**  
Item no. 590613.01
- Suitable for a range of purposes, e.g. heavy toolboxes
  - Makes tools and add-on equipment easily available anywhere
  - RFID key



- eTrolley Table**  
Item no. 590607.01
- Universal use
  - Transport of heavy goods
  - Loading capacity 150 kg
  - RFID key

# Developed for specific needs

The eTrolley system has proven its worth in the tough daily routine of industry and postal services. A wide range of configurations cover individual customer requirements. The loaded goods can be secured electronically; access to them is electronically, and reaching the goods is optimized for ergonomics.

## KYBURZ eTrolley – the technology

- Electric and eco-friendly
- Automatic brake
- RFID contactless key
- Central locking for compartments
- High loading capacity
- Manoeuvrable: can turn on the spot
- Robust design with immersion-lacquered frame for a long service life

## Technical specifications

Speed	6 km/h
Range	10–20 km
Hill-climbing ability	up to 15%
Width	580 mm to 678 mm
Length	1,674 mm
Batteries	LiFePO <sub>4</sub> , maintenance-free
Motor	DC with 1 kW peak output
Gradeability	curbs, max. 12 cm



eTrolley Table (Item no. 590607.01) in action with a passenger board (Item no. 111424.04).

Find out more:





## Limitless options

The eTrolley has already proven its worth in countless different settings. From city centres to enclosed buildings – the eTrolley knows no limits. The KYBURZ eTrolley can be customised to meet your needs, applications and preferences.



Individual add-ons



eTrolley Race Bar



eTrolley work-out



eTrolley mobile workbench



## eTrolley Table in use

The eTrolley Table simplifies daily work in logistics and workshops. It increases the efficiency and sustainability of transporting goods on company premises. Employees feel less stressed and physical strain is reduced.



eTrolley Table in use (Item no. 590607.01)

# ePedelec – the key benefits at a glance

The KYBURZ ePedelec is an electric cargo bike specially developed for the requirements of a post delivery vehicle. It is equipped with lithium batteries and a built-in charger. The custom containers supplied with the KYBURZ ePedelec make it easy to load and deliver goods.

### Performance

High load capacity reduces interim storage and empty trips on the delivery route  
Energy-saving acceleration and driving mean it can cover long distances

### Safety

Three independent braking systems  
Short braking distance, even with maximum load  
Unrestricted all-round visibility  
Safe driving even in winter thanks to four wheels

### Ergonomics

Sufficient power reserves to manage inclines without any problems  
Ergonomically correct seating position  
Spring-mounted seat post to relieve back strain

### Low operating costs

Tried and tested, maintenance-free electronics  
Low maintenance thanks to pedal generator and electric power transmission  
No chain and no toothed belt, no pinion and no spokes

### Sustainability

Zero-emission drive system  
Energy recovery  
Sustainable components for a long service life

### Image

Environmentally friendly and responsible



KYBURZ ePedelec – custom configurations, high charging capacity



Uncomplicated, intuitive operation



Easy access to theft-proof transported contents



## Saves time and money

The ePedelec's high loading capacity of 200 kg enables huge time savings:

- Reduces loading costs at the depot
- Increases efficiency by reducing trips back to the depo

Higher average speed:

- Thanks to electric drive system, saves energy and is less tiring than with a conventional cargo bike

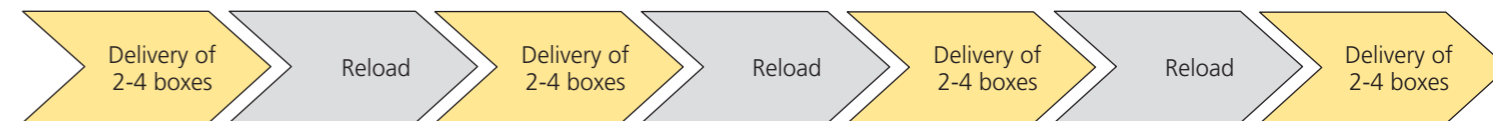
Improved employee motivation:

- Less physical strain and greater motivation promote job satisfaction
- Physical effort required can be adapted to the individual driver

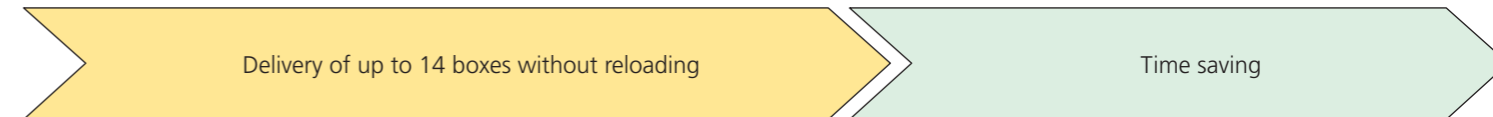
Combined delivery of letters and parcels:

- High transport volume allows parcels to be additionally taken on the route.

Typical delivery process with a conventional cargo bike



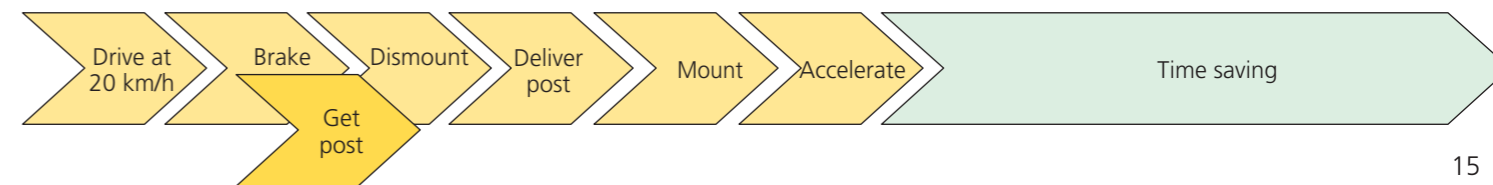
Delivery process with the KYBURZ ePedelec



"Post delivery with cargo bike" process chain



"Post delivery with KYBURZ ePedelec" process chain





## ePedelec at a glance



ePedelec "Post"

Item no. 590300.00

- Front box – for carrying 8 standard post containers
- Rear box – for carrying 6 standard post containers or parcels, with adjustable shelf
- Front hatch with hold-open mechanism for letter removal by driver while on the move
- different superstructures available



ePedelec "Basic"

Item no. 590301.00

- Front and rear loading area with rail for securing transported goods



ePedelec "Carrier"

Item no. 590302.00

- Front bin
- Rear box with adjustable shelf
- Rain cover



ePedelec "Cargo"

Item no. 590303.00

- Front and rear box with adjustable shelf
- Rain cover
- Windscreen



ePedelec "Kids Carrier"

Item no. 590304.00

- Single seat for each passenger
- Rear box for school bags
- Roll bar



ePedelec "Customised"

- Custom cargo bike
- Separate energy supply for cooling system/warmer for meal deliveries

## ePedelec – delivery in motion

The ePedelec is used for door-to-door delivery or collection of items on daily runs of between 10 and 30 km. The robust design makes for a very durable vehicle. The electronic power transmission between the driver and the drive train is maintenance-free and can be individually matched to each driver. The superstructures are configured to meet each customer's needs.

### KYBURZ ePedelec – the technology

- Electric and eco-friendly
- 3 independent brakesystems:
  - Drum brake (front wheels, rear wheels)
  - Automatic parking brake
  - Recuperation brake
- High charging capacity reduces interim storage on the delivery route
- Agile manoeuvring with reverse gear switch
- Maintenance-free electronics
- Energy recovery
- Safe to drive, even in winter (ice and hard-packed snow)
- Freewheel function for energy-saving pedalling

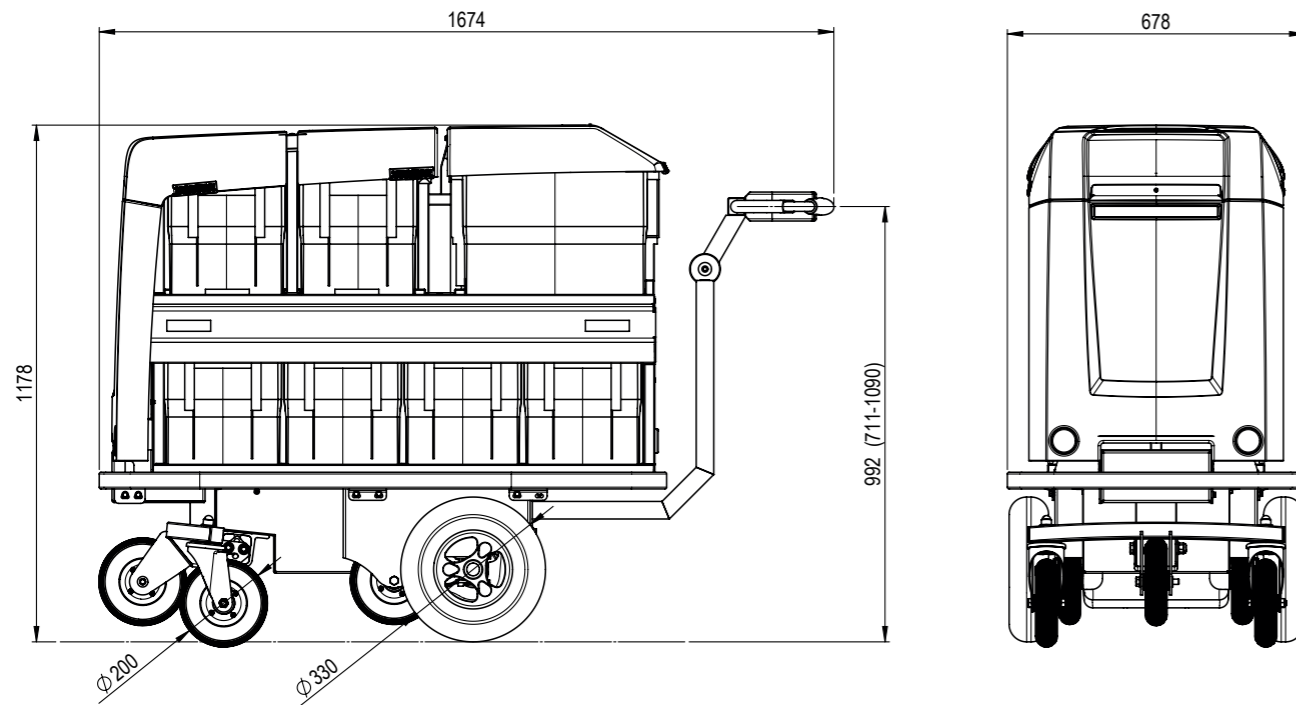
### Technical specifications

Speed	25 km/h
Range	up to 30 km with 250 deliveries
Hill-climbing ability	up to 15%
Width	901 mm
Length	2,786 mm
Height	1,347 mm
Batteries	LiFePO <sub>4</sub> /100 Ah
Motor	Brushless asynchronous motor via reduction gear and differential
Maximum permitted weight	500 kg

Find out more:



## eTrolley dimensions



## eTrolley equipment options

### Basic equipment

Vehicle	Item no.	Speed	Lithium batteries	Charger	Dead weight	Load
eTrolley 4BG+	590609.00	6 km/h	60Ah	3 A	100 kg	120 kg
eTrolley 8+1	590618.00	6 km/h	60Ah	3 A	145 kg	120 kg
eTrolley 8BG	590608.00	6 km/h	60Ah	3 A	100 kg	120 kg
eTrolley Box	590612.01	6 km/h	60Ah	3 A	130 kg	150 kg
eTrolley Base	590613.01	6 km/h	60Ah	3 A	90 kg	160 kg
eTrolley Table	590607.01	6 km/h	60Ah	3 A	100 kg	150 kg

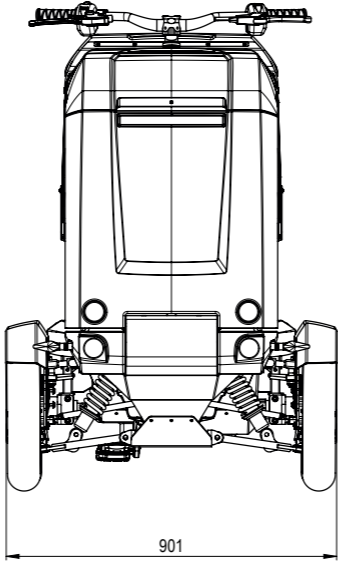
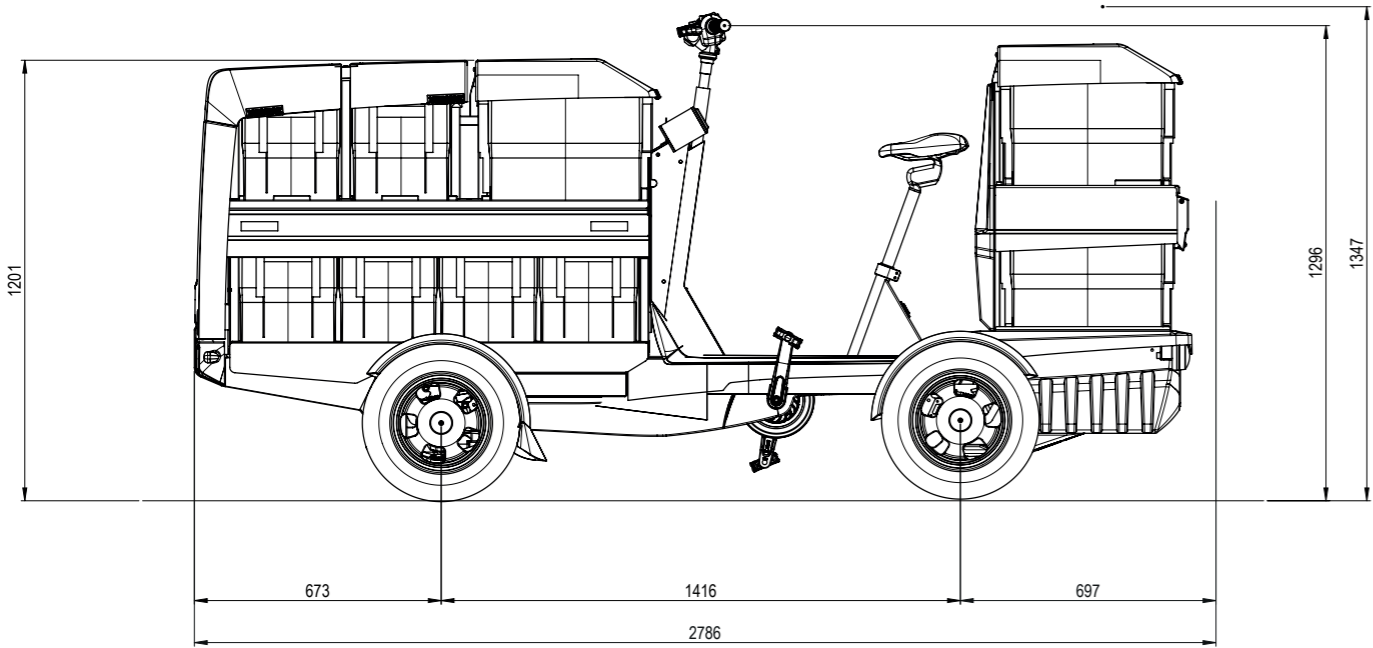
### Additional equipment

Vehicle	Step climbing wheel	Ride-on board, incl. tow bar	Red bag for eTrolley 4BG	Blue bag for eTrolley 4/8BG	utensil bag
eTrolley 4BG+	S	X	X	-	-
eTrolley 8+1	X	X	-	-	X
eTrolley 8BG	X	X	R	X	-
eTrolley Box	S	X	-	-	-
eTrolley Base	X	X	-	-	-
eTrolley Table	X	X	-	-	-

Vehicle	Winter wheels, complete	Winter wheels, complete, incl. spikes	Key system	Position light
eTrolley 4BG+	X	X	RFID	front
eTrolley 8+1	X	X	RFID	front
eTrolley 8BG	X	X	RFID	front
eTrolley Box	X	X	RFID	none
eTrolley Base	X	X	RFID	none
eTrolley Table	X	X	RFID	none

X = available | S = standard equipment | - = not available | R = on request

# ePedelec dimensions



# ePedelec equipment options

## Basic equipment

Vehicle	Item no.	Speed	Lithium batteries	Charging time	Dead weight	Load	Lights
ePedelec "Post"	590300.00	25 km/h	100 Ah	10 hours	240 kg	260 kg	S
ePedelec "Basic"	590301.00	25 km/h	100 Ah	10 hours	180 kg	320 kg	S
ePedelec "Carrier"	590302.00	25 km/h	100 Ah	10 hours	215 kg	285 kg	S
ePedelec "Cargo"	590303.00	25 km/h	100 Ah	10 hours	240 kg	260 kg	S
ePedelec "Kids Carrier"	590304.00	25 km/h	100 Ah	10 hours	275 kg	225 kg	S
ePedelec "Customised"	-	25 km/h	100 Ah	10 hours	R	R	S

## Additional equipment

Vehicle	Electronic locking system	Roof	Winter tyres	Effect lights	All-purpose bag	Back cushion	Windscreen	Trailer coupling
ePedelec "Post"	S	X	X	-	X	X	X	X
ePedelec "Basic"	-	-	X	-	-	-	-	X
ePedelec "Carrier"	S	X	X	-	X	X	X	X
ePedelec "Cargo"	S	X	X	-	X	X	X	X
ePedelec "Kids Carrier"	S	X	X	-	X	X	X	X
ePedelec "Customised"	X	X	X	X	X	X	X	X

X = available | S = standard equipment | - = not available | R = on request

# Note

.....

.....

.....

.....

.....

.....

.....

.....

.....

.....

eTrolley 8+1



# Note

.....

.....

.....

.....

.....

.....

.....

.....

.....

.....

ePedelec "Post"



# Solutions for electric mobility are our speciality

## The company

KYBURZ Switzerland AG was founded by Martin Kyburz in 1991 and is based in Freienstein, near Zurich. An SME with over 170 employees, the company develops and produces high-quality electric vehicles for delivery and industrial companies, as well as for private individuals.

More than 25'000 KYBURZ vehicles are in use around the world; the best-known model, the KYBURZ DXP, can be seen out delivering post on the streets in many different countries.

Ensuring the service and maintenance of its products is a top priority for the company.

A passion for development, sustainability and climate friendliness:

KYBURZ Switzerland AG looks forward to the future and can build on solid craftsmanship and many years of experience.



### KYBURZ Switzerland AG

Shedweg 2–8

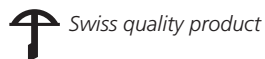
CH-8427 Freienstein

Tel. +41 (0) 44 865 63 63

Fax +41 (0) 44 865 63 80

info@kyburz-switzerland.ch

www.kyburz-switzerland.ch



Copyright © KYBURZ Switzerland AG, September 2022

Subject to technical modifications | 777775.01

Visit our website:

